

BCDR setup guide



2020/09/04 ver1.00

Index

1. BCDR Contents List

2. How to get the BCDR unit out of the box

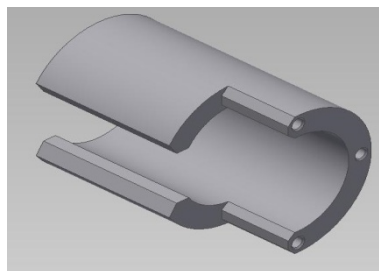
3. BCDR unit set up

4. BCDR elevation unit set up

BCDR Contents List

Contents in the box

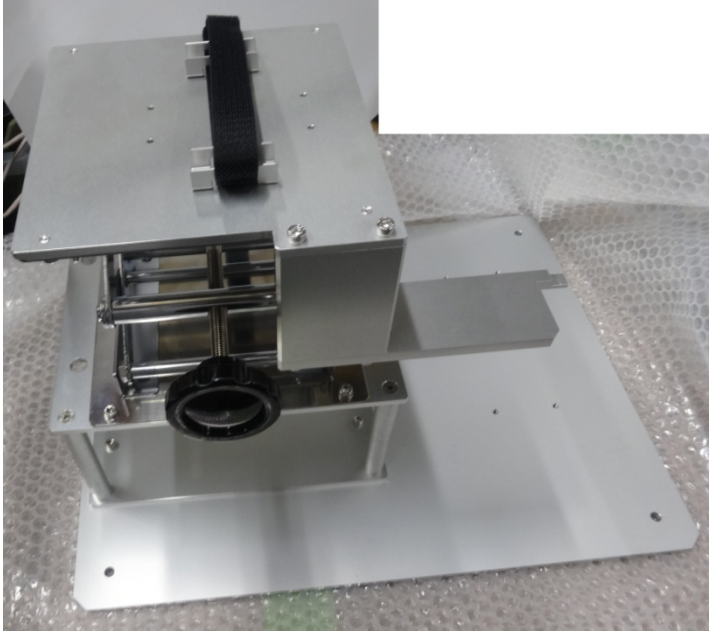
- BCDR 110G Qty:1
- $\Phi 12$ Cu circular disk Qty:5
- $\Phi 12$ Shim centering sheet Qty:5
- $\Phi 15$ Cu circular disk Qty:5
- $\Phi 15$ Shim centering sheet Qty:5
- $\Phi 18$ Cu circular disk Qty:5
- $\Phi 18$ Shim centering sheet Qty:5
- Sample MUT $\Phi 50$ PTFE $t=0.5$ Set:1
- Sample MUT $\Phi 50$ COP $t=0.188$ Set:1
- Sample MUT $\Phi 50$ Polyimid $t=0.5$ Set:1
- Electrode cramp Qty:1
- Pulley unit Qty:1
- Weight Qty:1
- Wire string Qty:1
- Cable place Qty:1
- M3 Flat head screw Qty:4
- M4 Hex screw Qty:4
- M5 Hex screw Qty:4
- Software and help DVD Qty:1
- Instruction manual Qty:1
- Socket adapter Qty:1



Other contents list

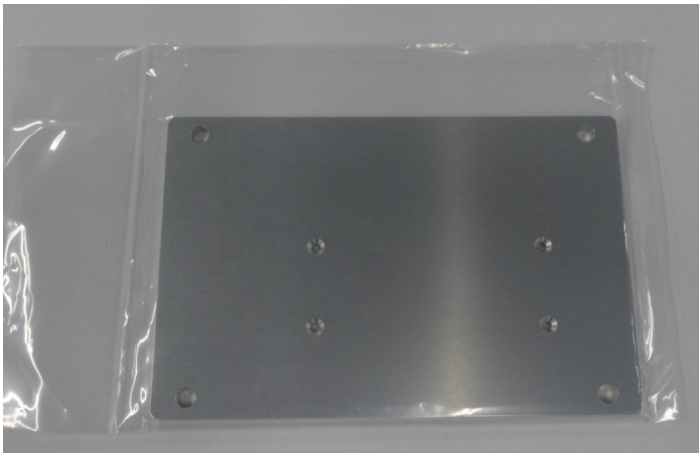
1. • BCDR elevator unit

Qty:1



2. • Port 2 attach plate

Qty:1



3. • 1.00mm cable

Qty:2



4. ・USB-LAN adapter

Qty:1



5. ・Torque driver

Qty:1



6. ・Hex 8mm bit

Qty:1



7. • Hex bit set

Qty:1



8. • Handy vacuum tweezers

Qty:1



9. • Stainless tweezers

Qty:1



10. • Non-woven fabric BEMCOT M-1

Qty:1



11. • Blower

Qty:1



12. • Anti-static finger cots latex

Qty:1



13. ・ Disposable natural rubber very thin gloves

Qty:1



14. ・ Mini slim wrench set

Qty:1



Recommended to prepare by users

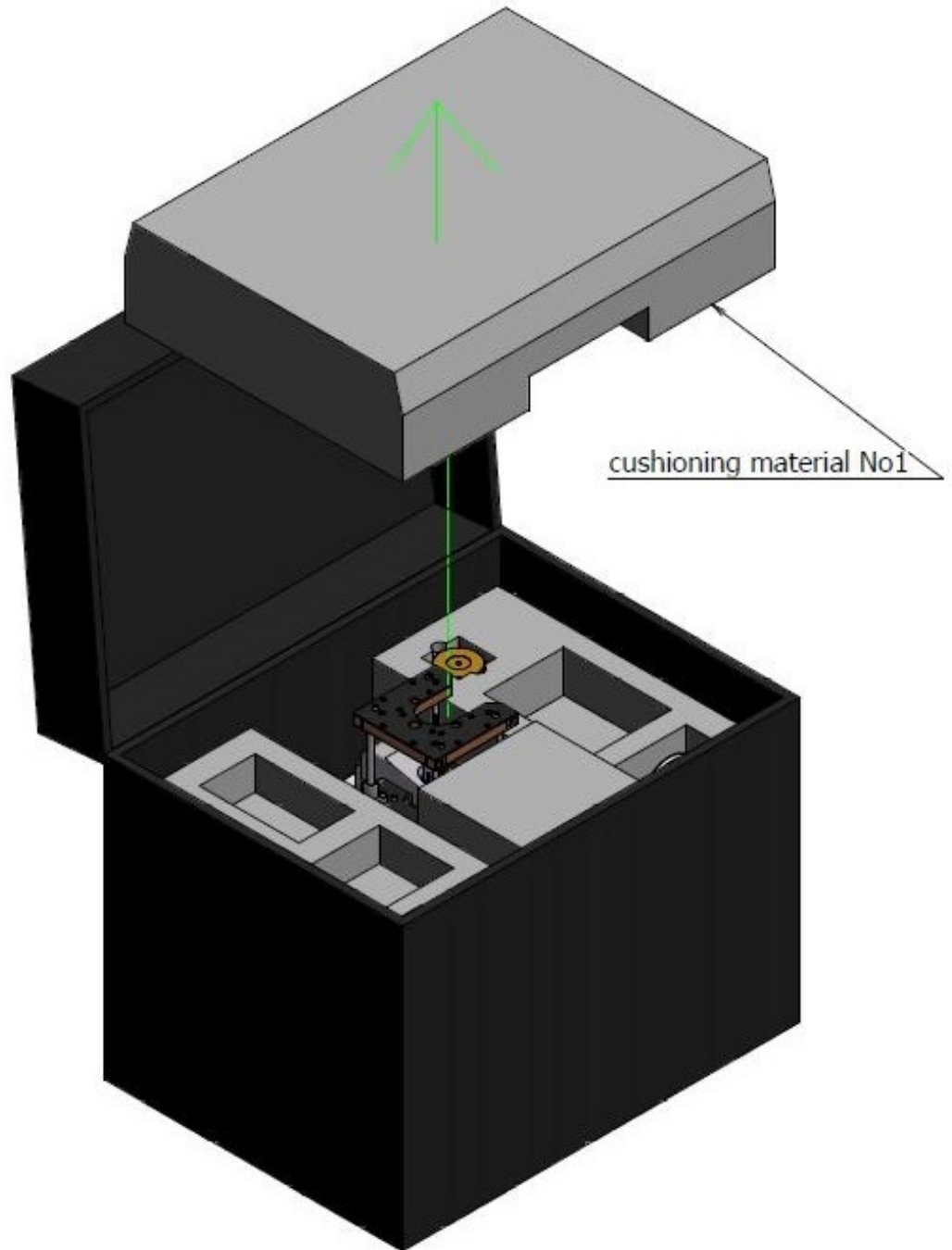
- ・ PC
- ・ Anhydrous alcohol

Caution

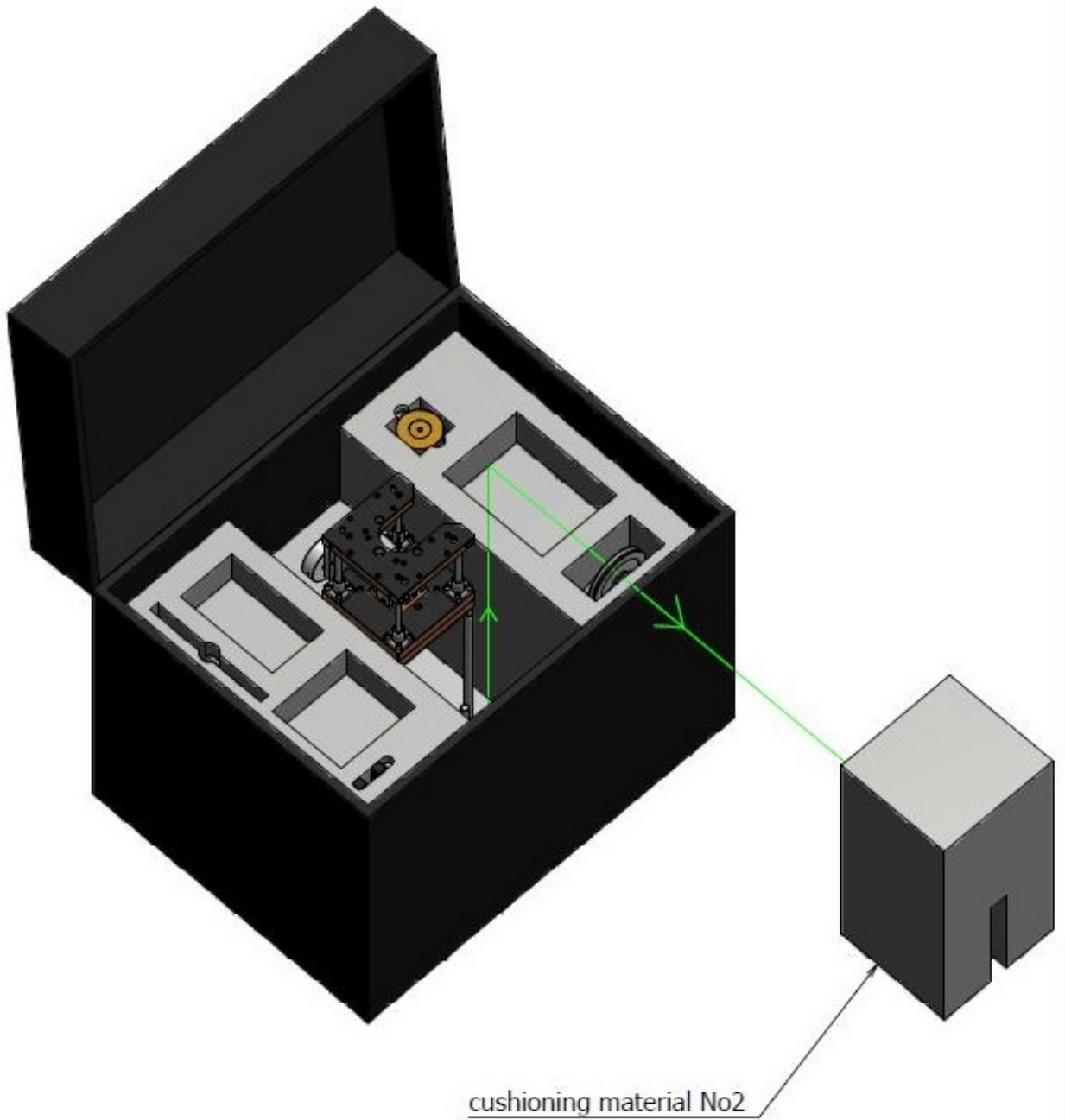
- Please follow the procedure instructions the manual.
- Safekeeping in a place with room temperature and low humidity.
- It is a heavy item, be careful when carrying it and assembling it.
- Do not touch the inner surface of the electrode with bare hands.
- Be careful not to scratch the inside of the electrode.
- For rust prevention, we have put a anti-rust paper inside the electrode.
Please remove it when measuring.
- Be sure to put a anti-rust paper on when storing.

How to get the BCDR unit out of the box

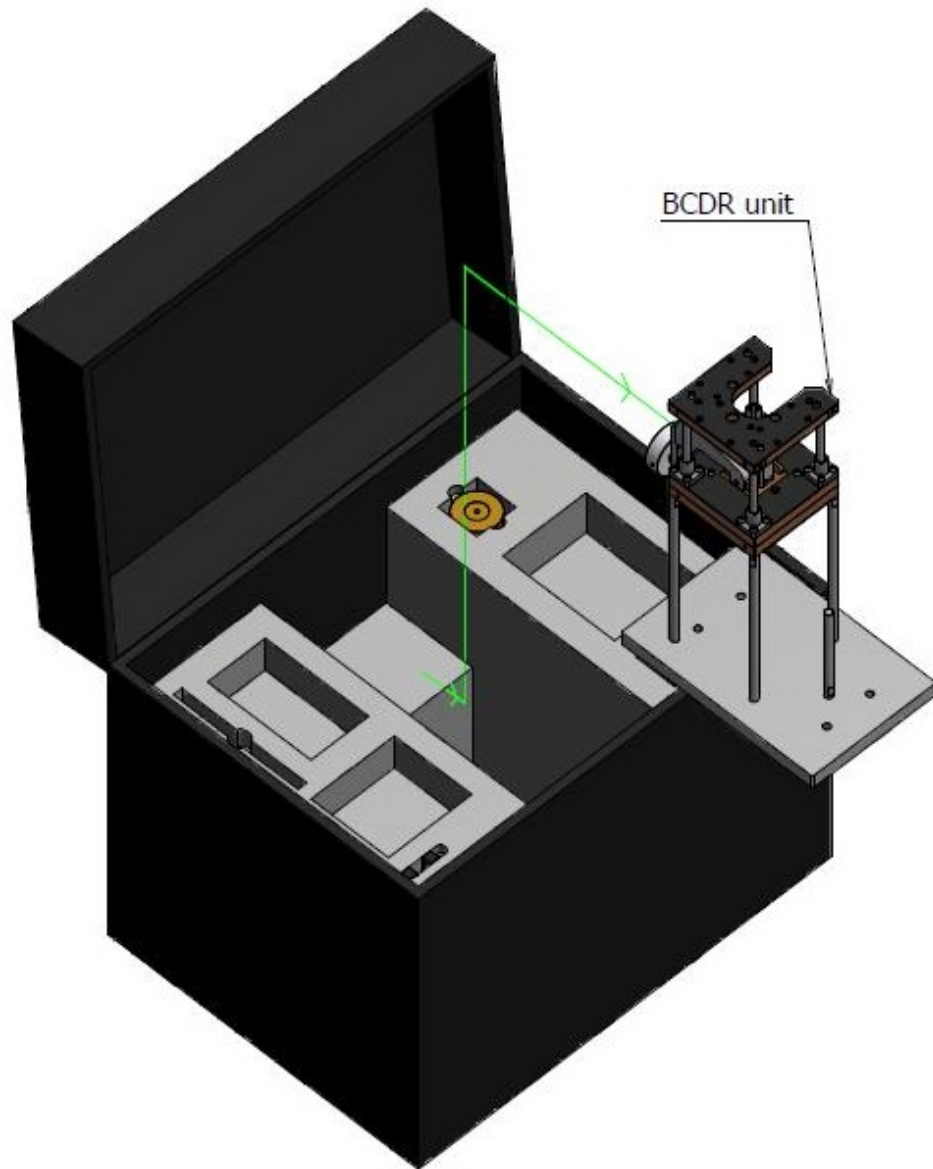
① Lift the cushioning material No1 up.



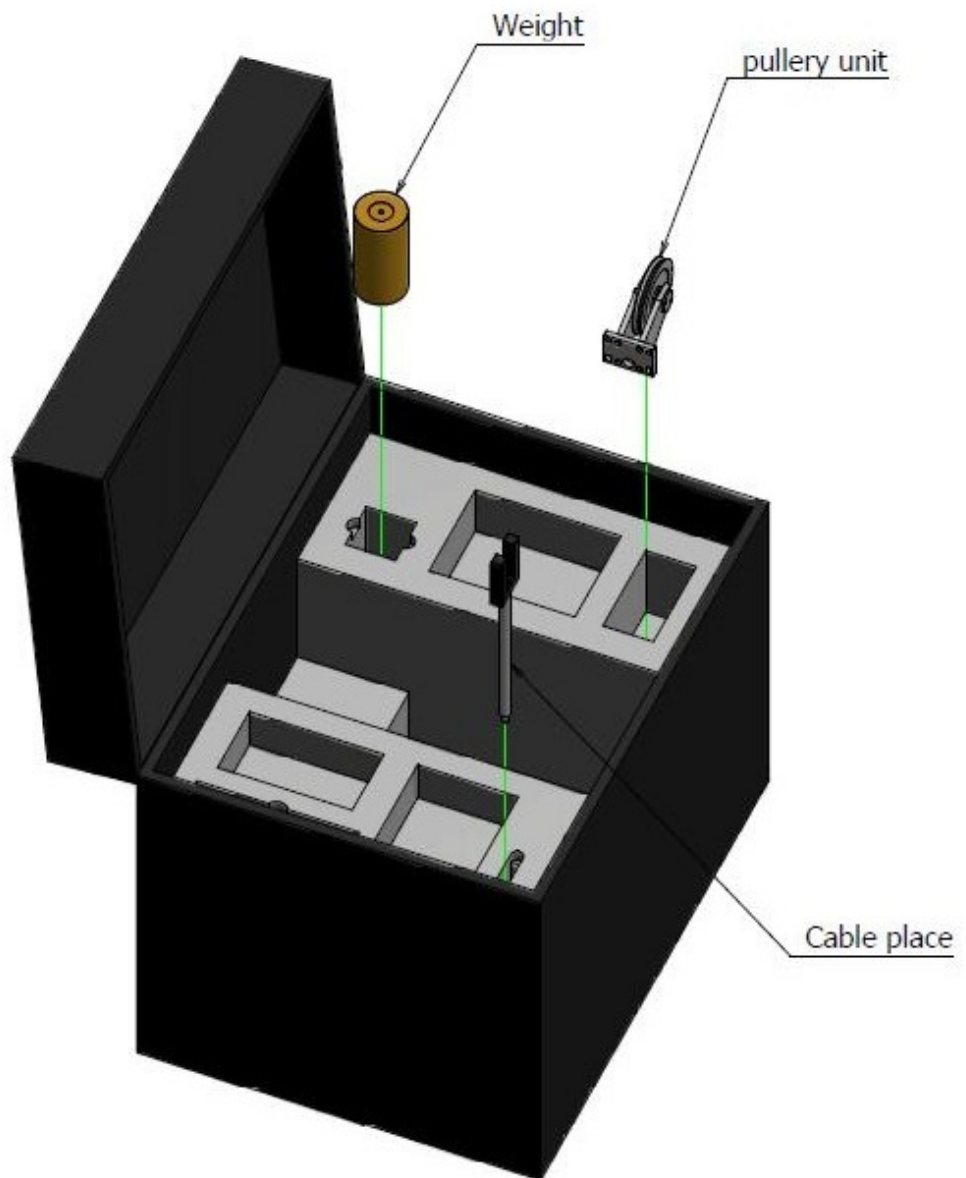
② Lift the cushioning material No2 up.



③ Pull the BCDR toward you and then lift it up.



④ Pull up each part weight , pulley and cable place.

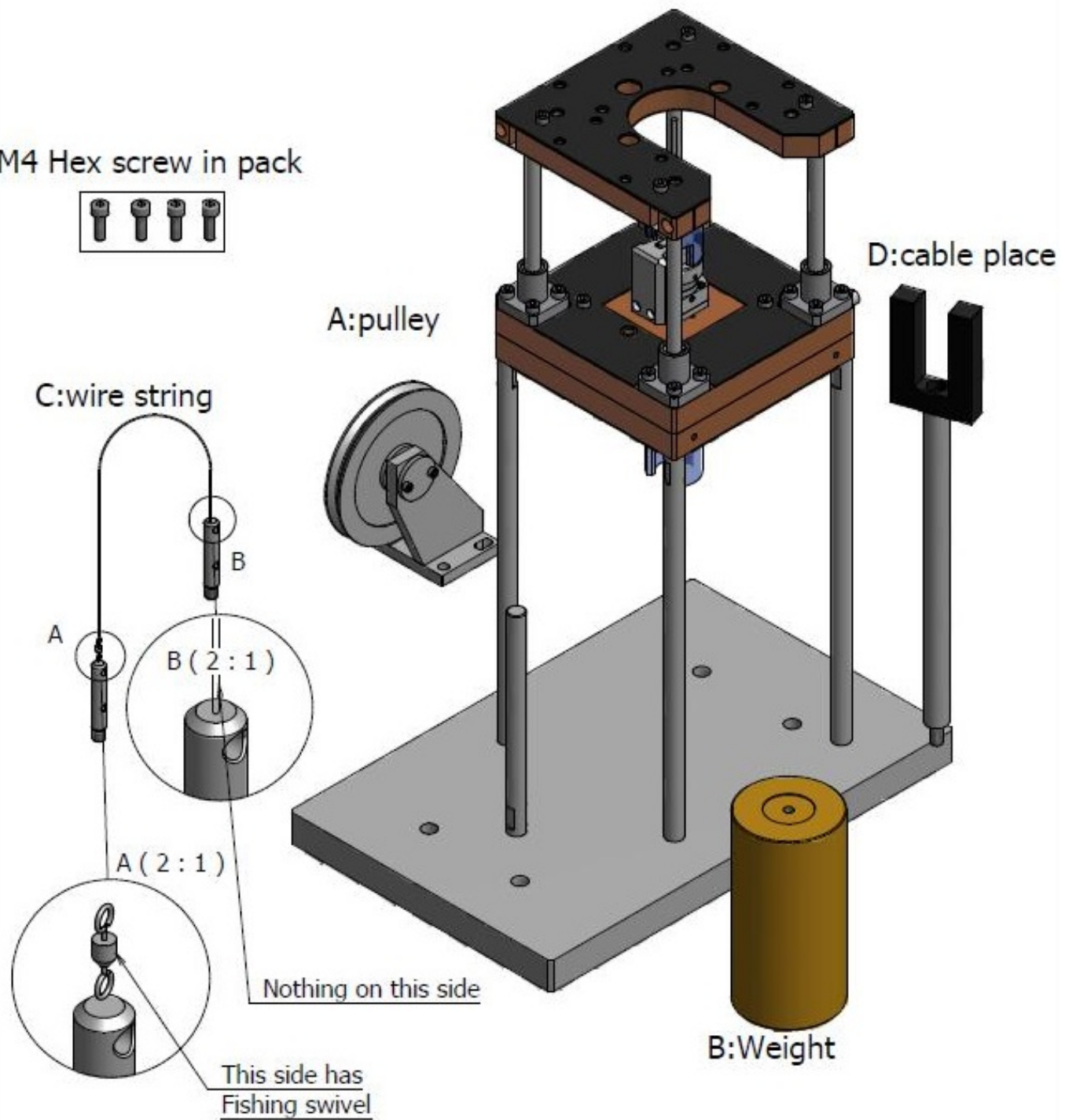


BCDR unit set up

1.

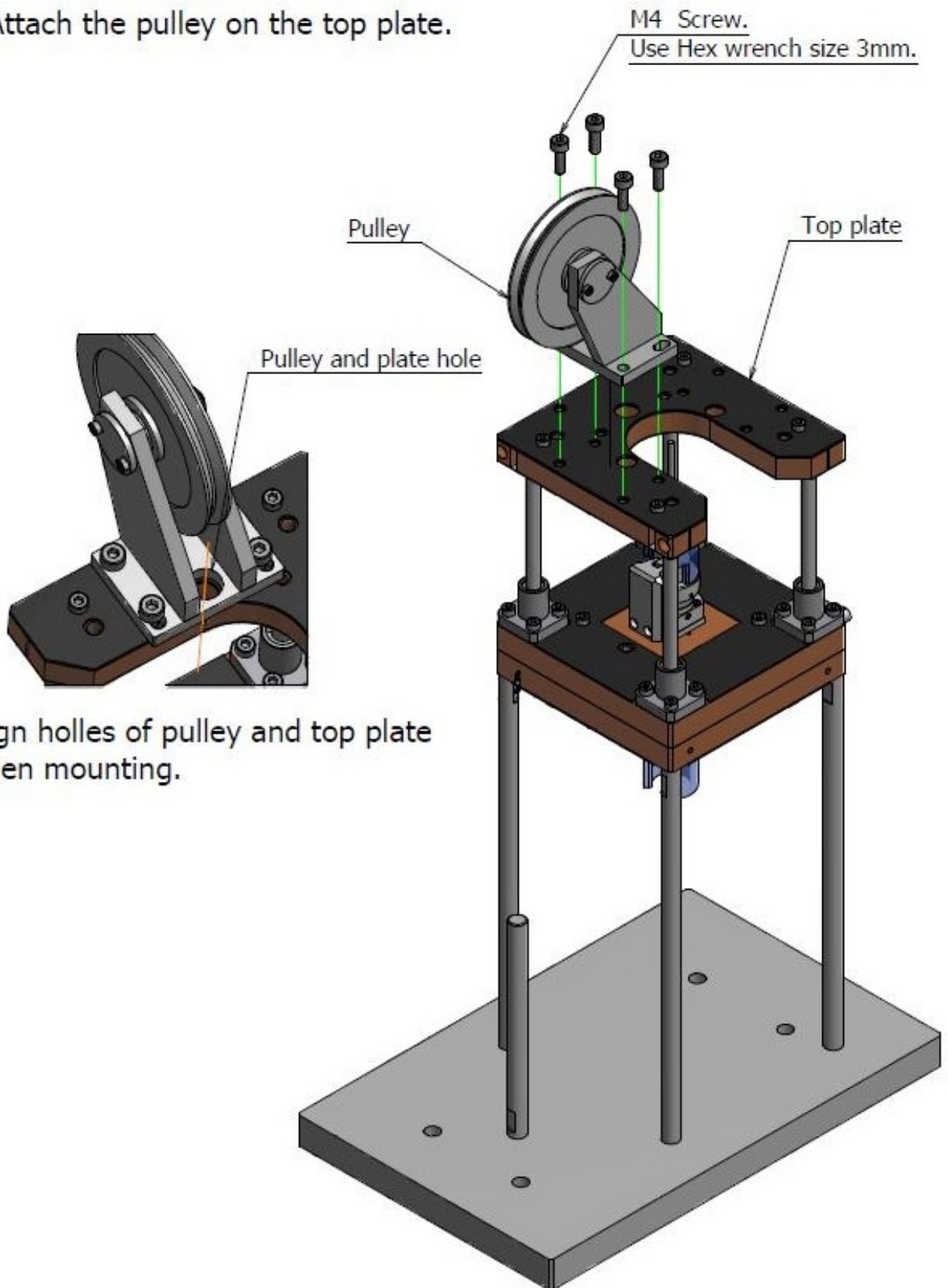
•Parts required for assembly: A to D.

M4 Hex screw in pack



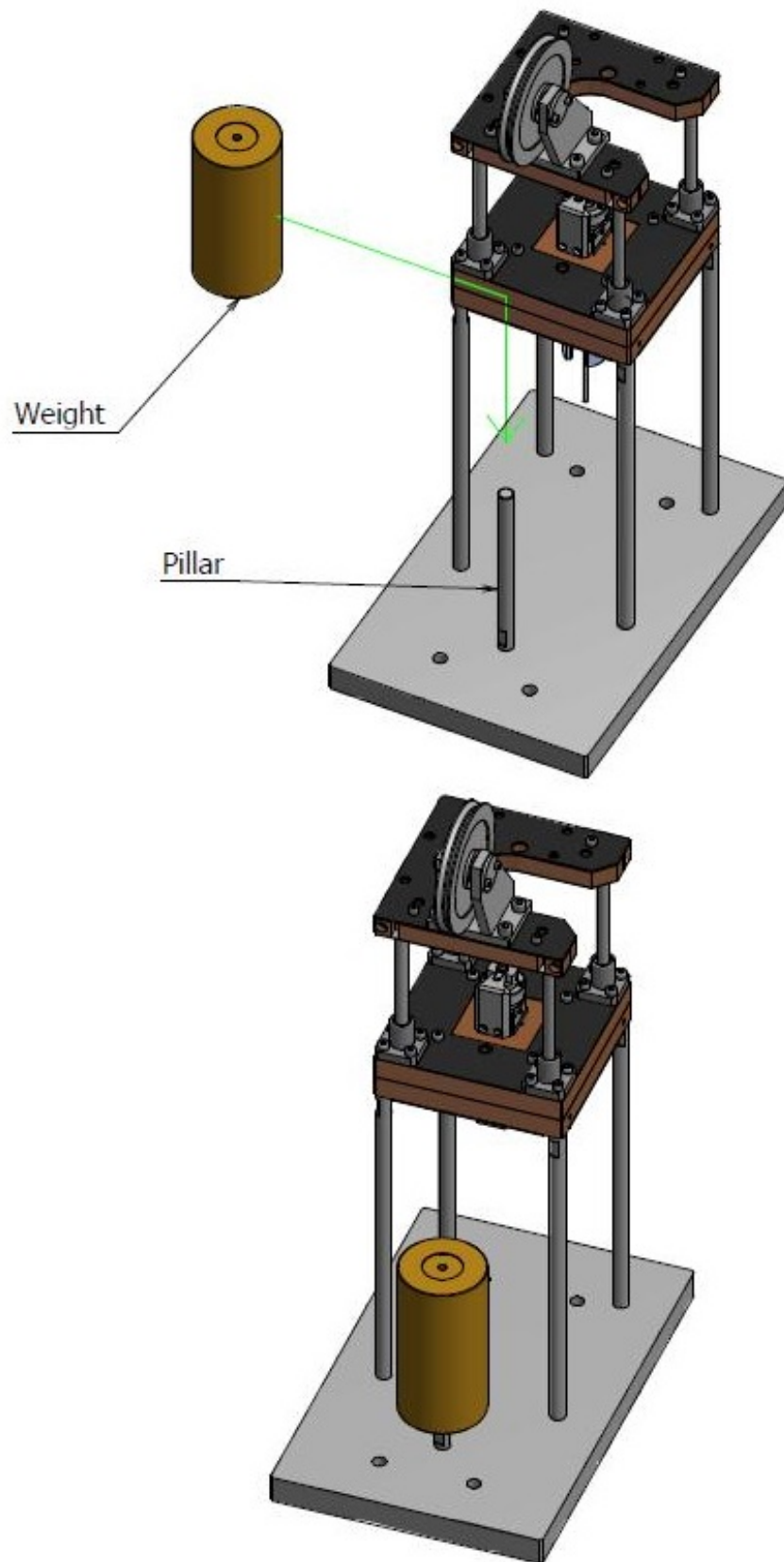
2.

Attach the pulley on the top plate.



3.

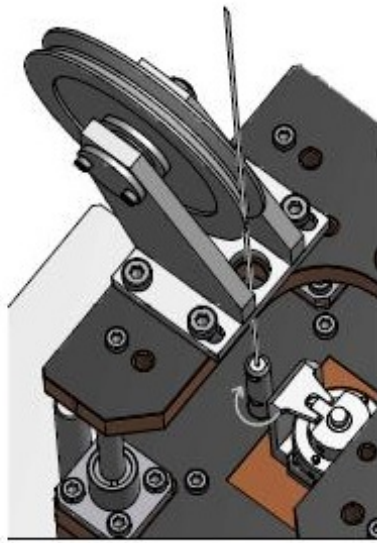
Insert the weight into the pillar.



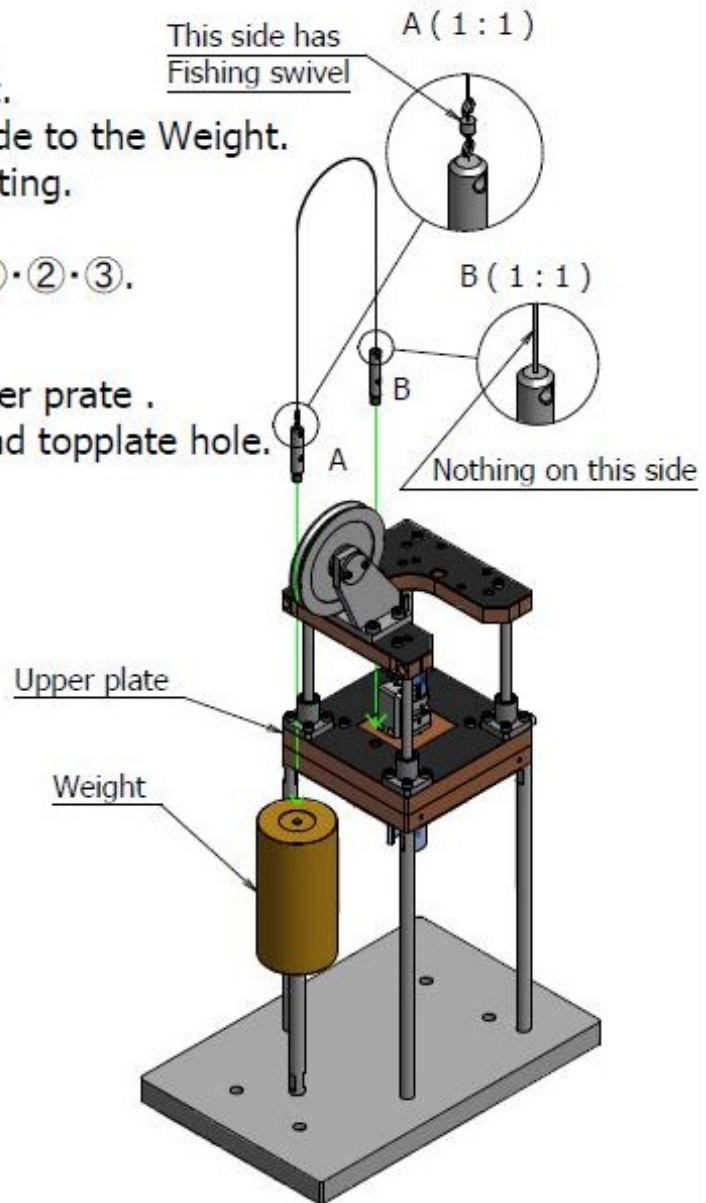
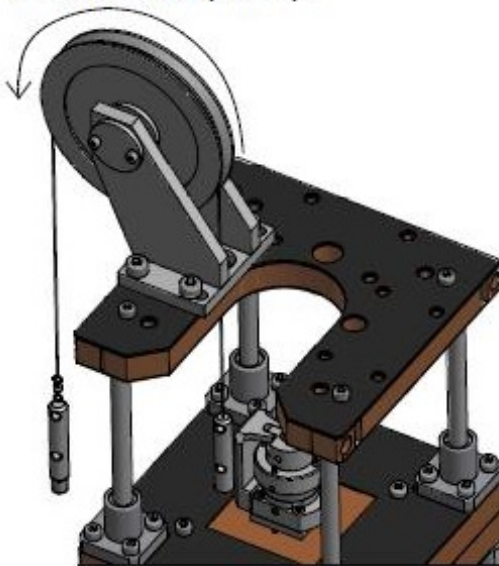
4. Attach the wire string to the upper plate and weight.
Attach the fishing swivel side to the Weight.
Lift the weight when mounting.

Assemble in the order of ①·②·③.

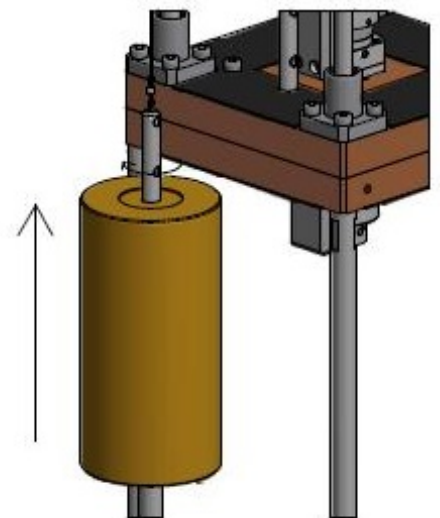
- ① Attach the wire-string to the upper prate .
At the time through the pulley and topplate hole.



- ② Wrap the wire around the pulley.

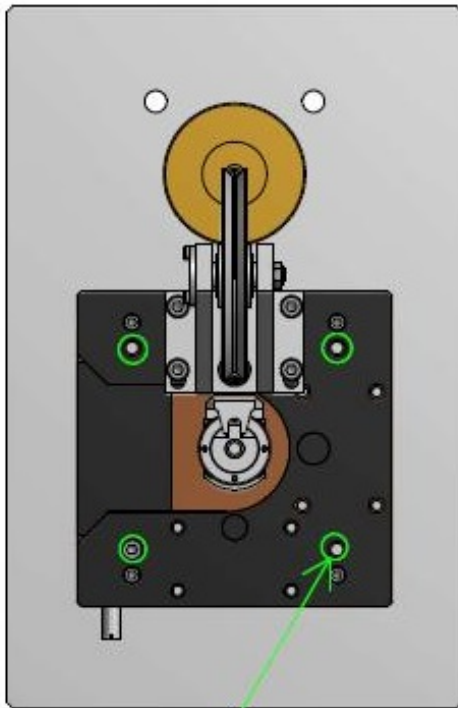


- ③ Lift the weight and attach the wire.

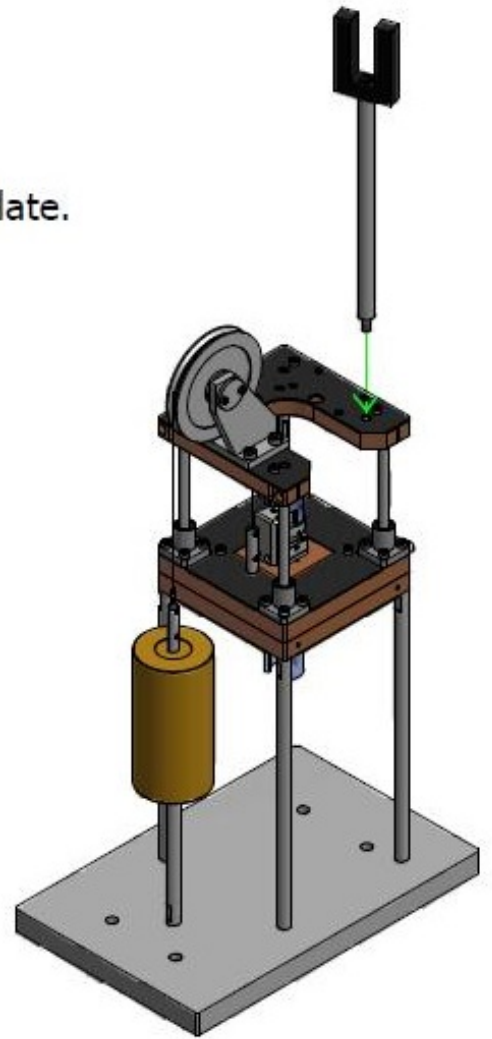


5.

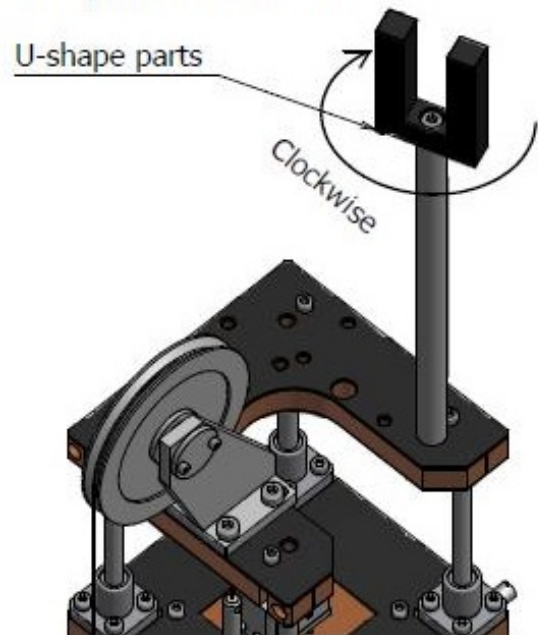
Attach the cable place to the top plate.



It can be attach 4 places.

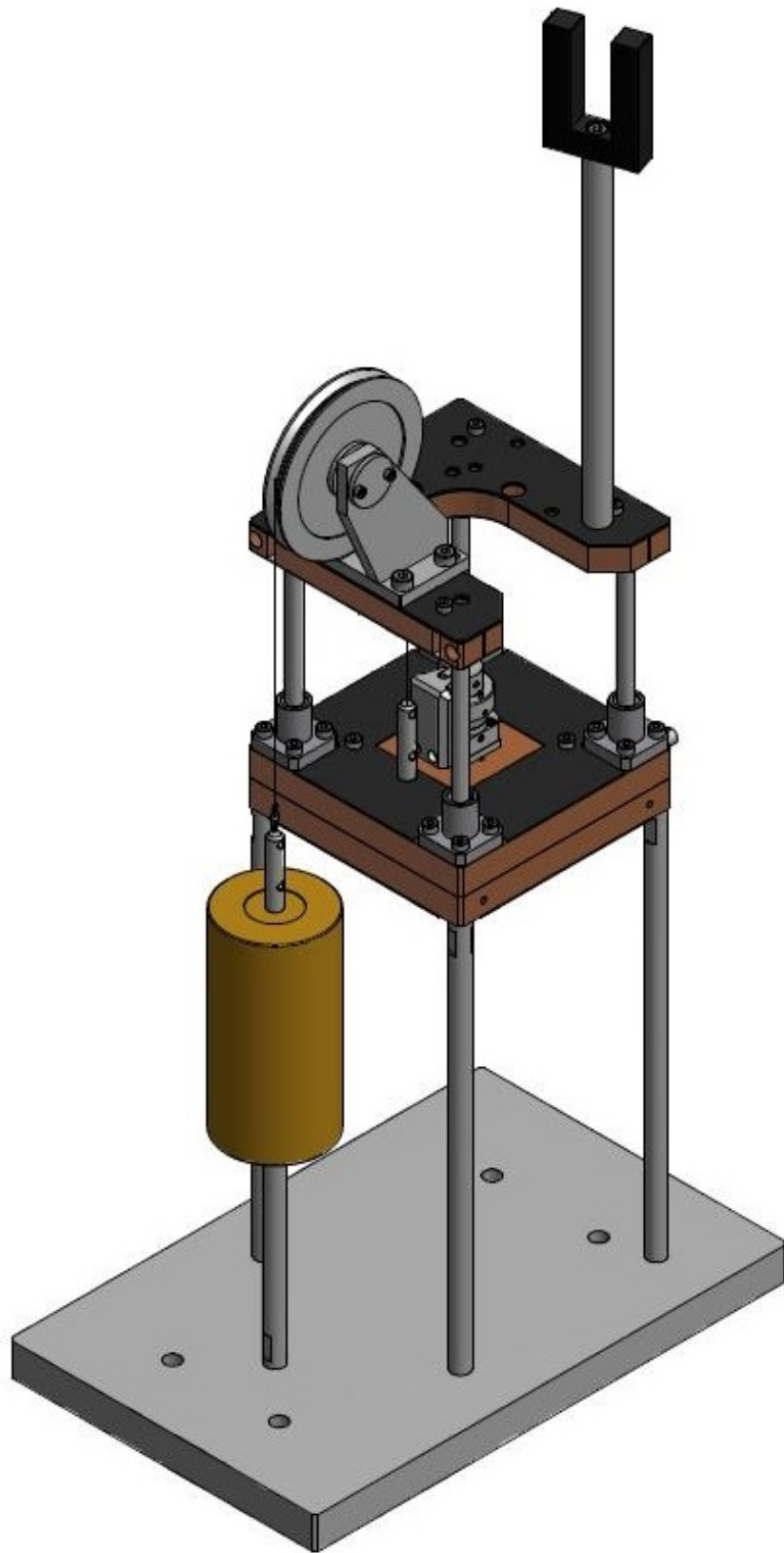


U-shaped parts can be rotated clockwise with the parts attached.

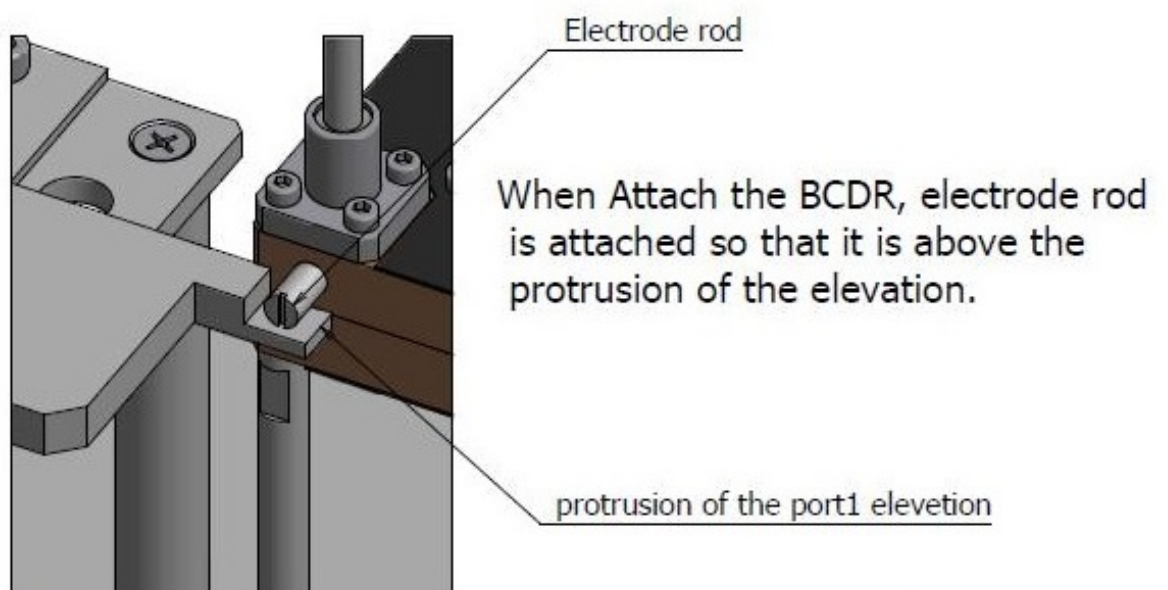
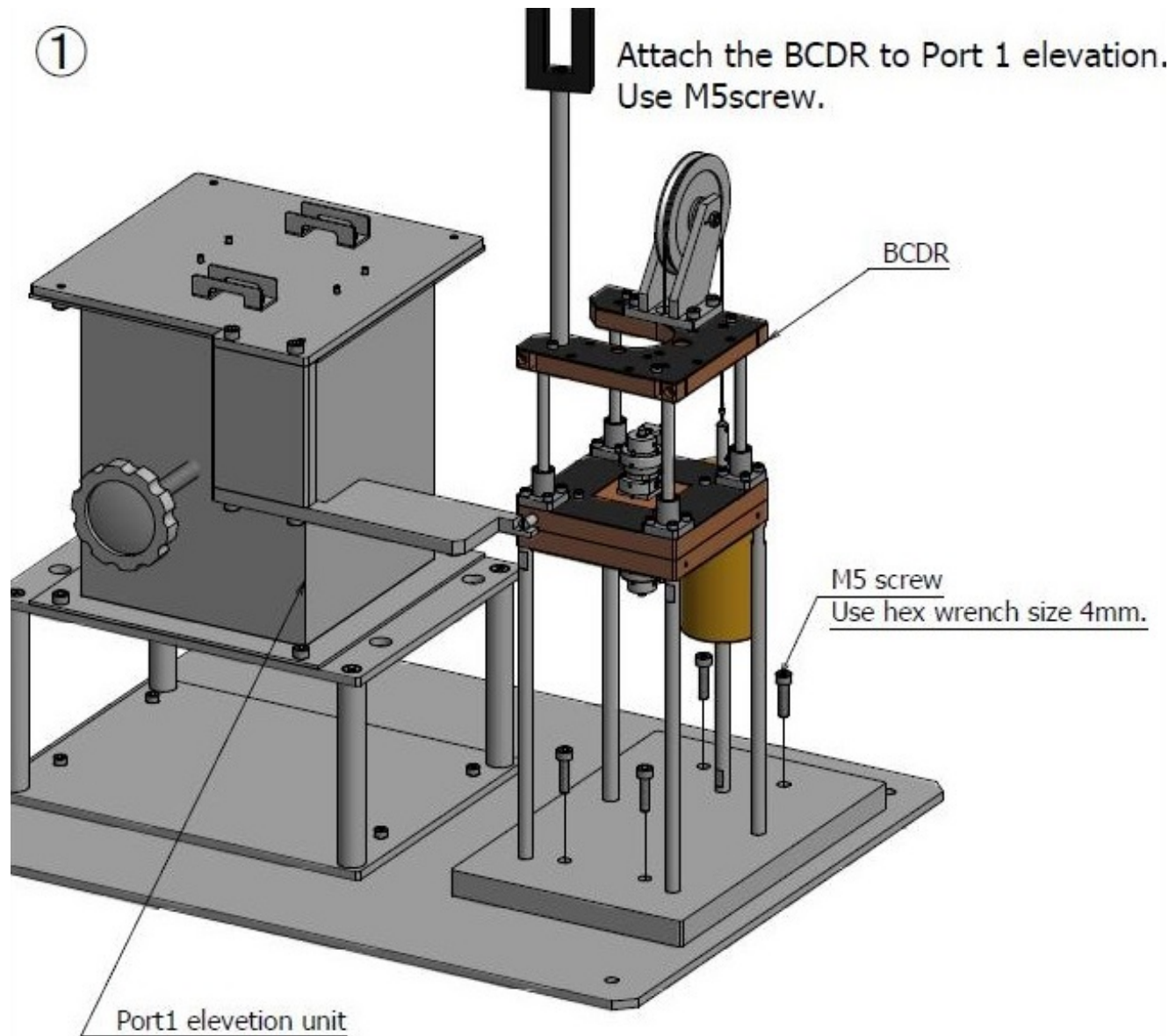


6.

Assembly is completed.

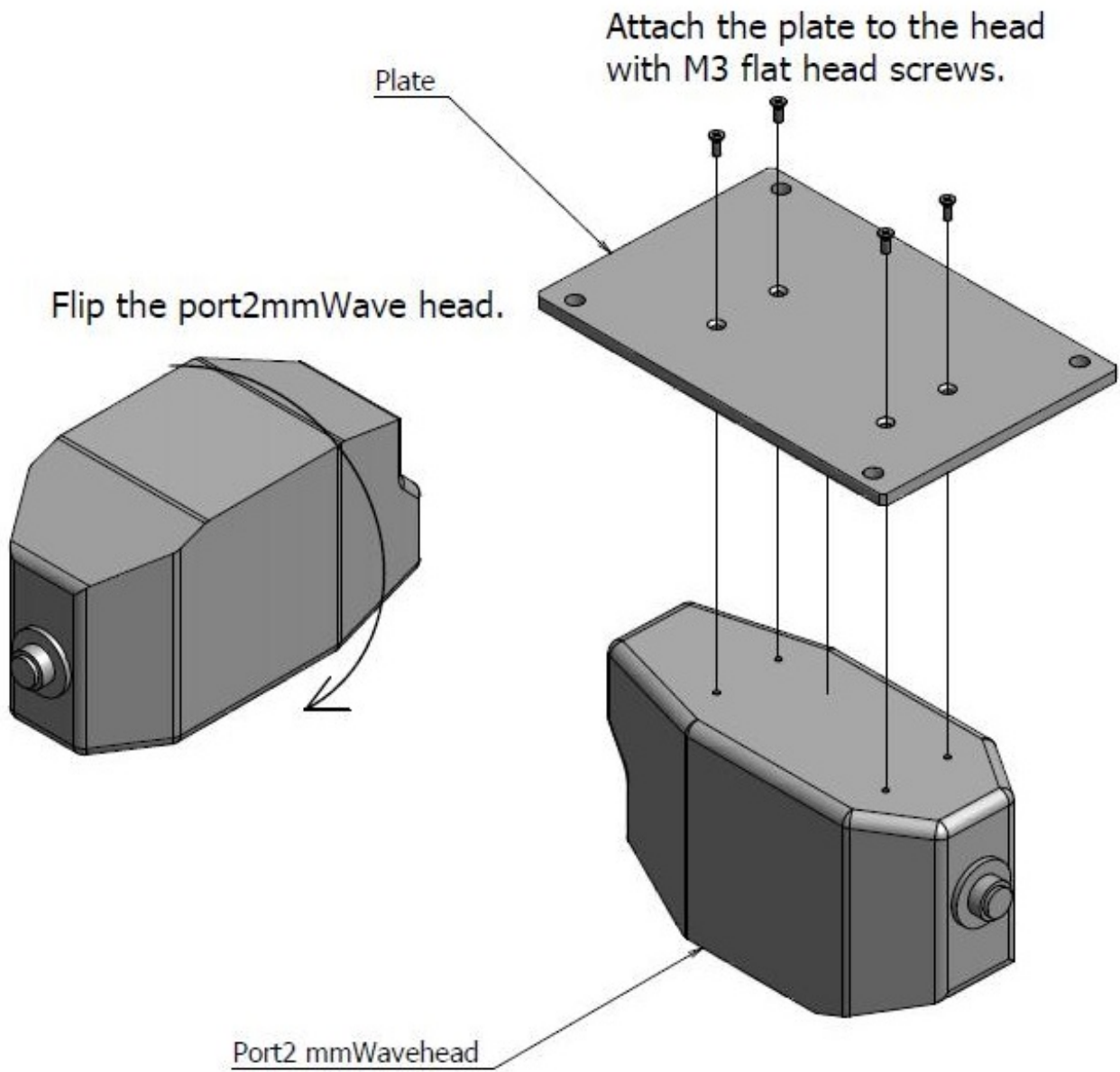


BCDR elevation unit set up guide

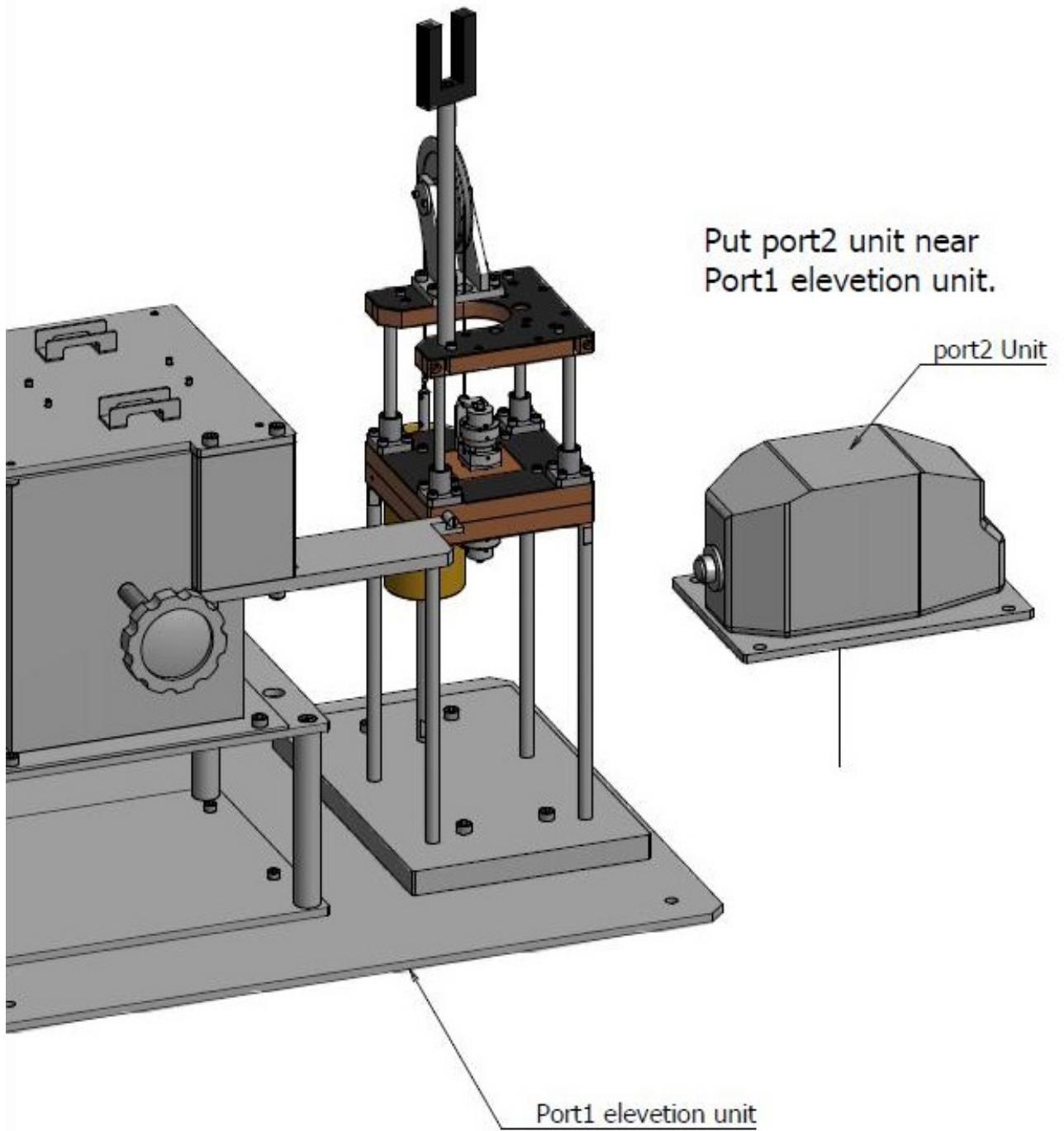


②

Port2 mmWave head attach plate.

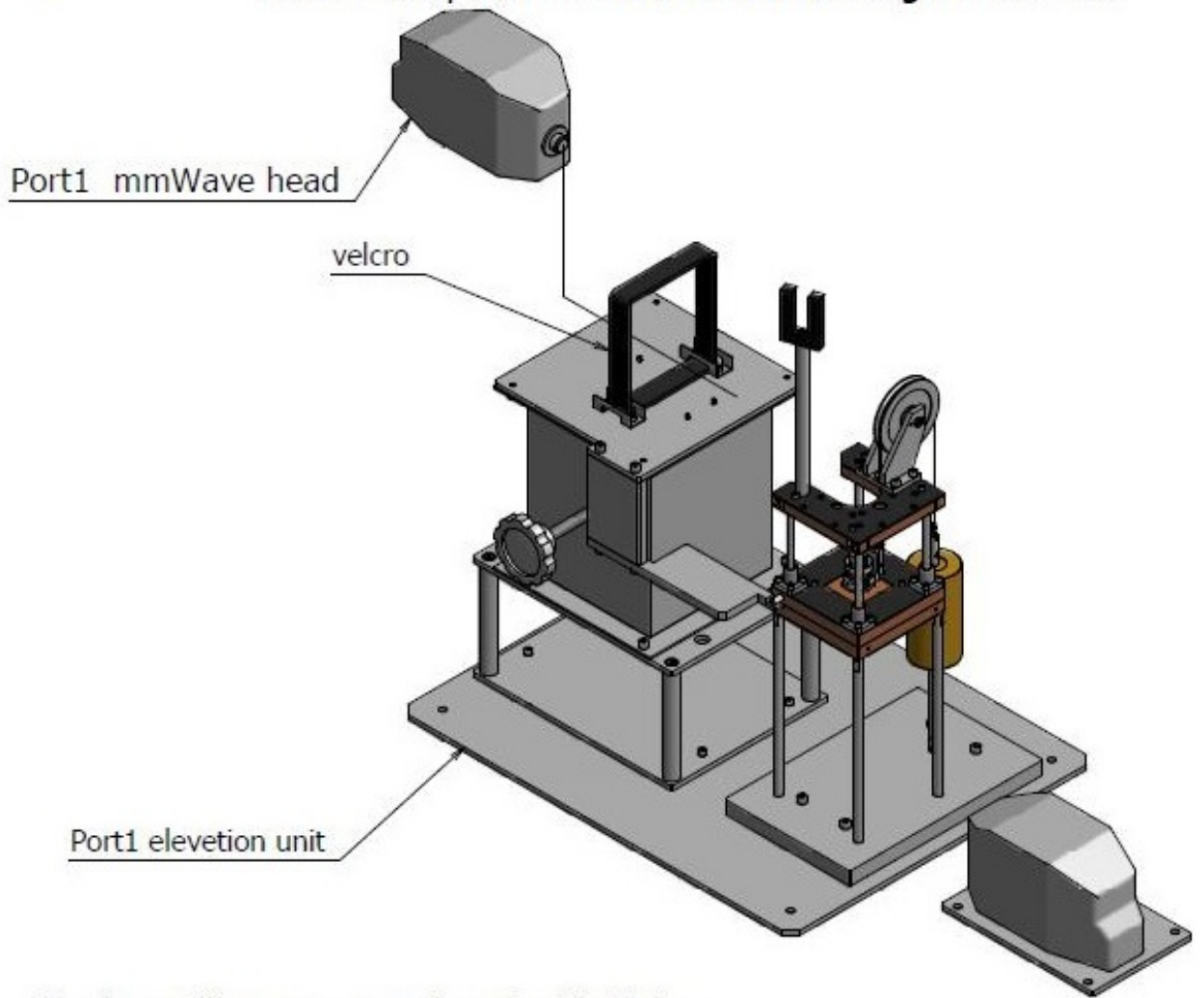


③

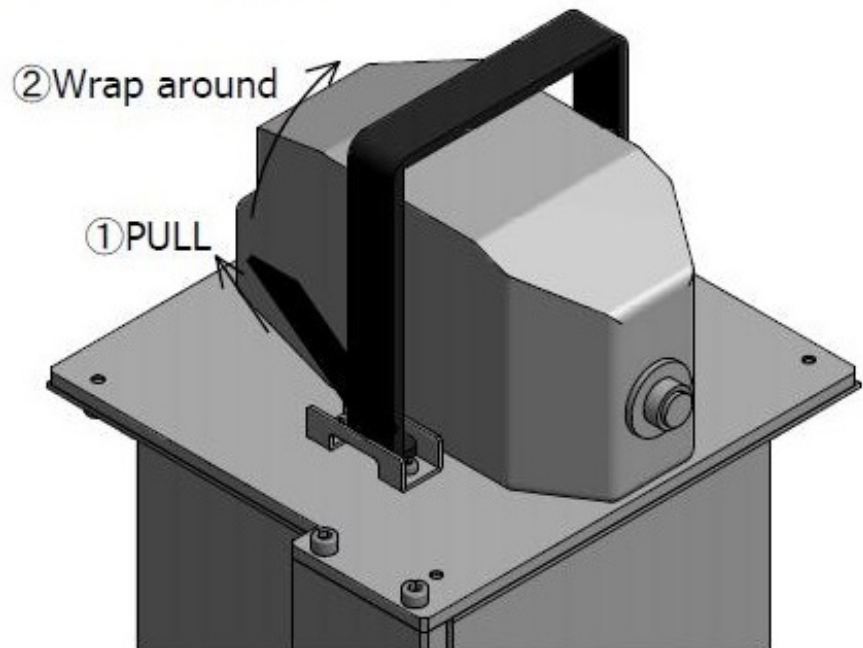


④

Thread the port1 mmWave head through the velcro.

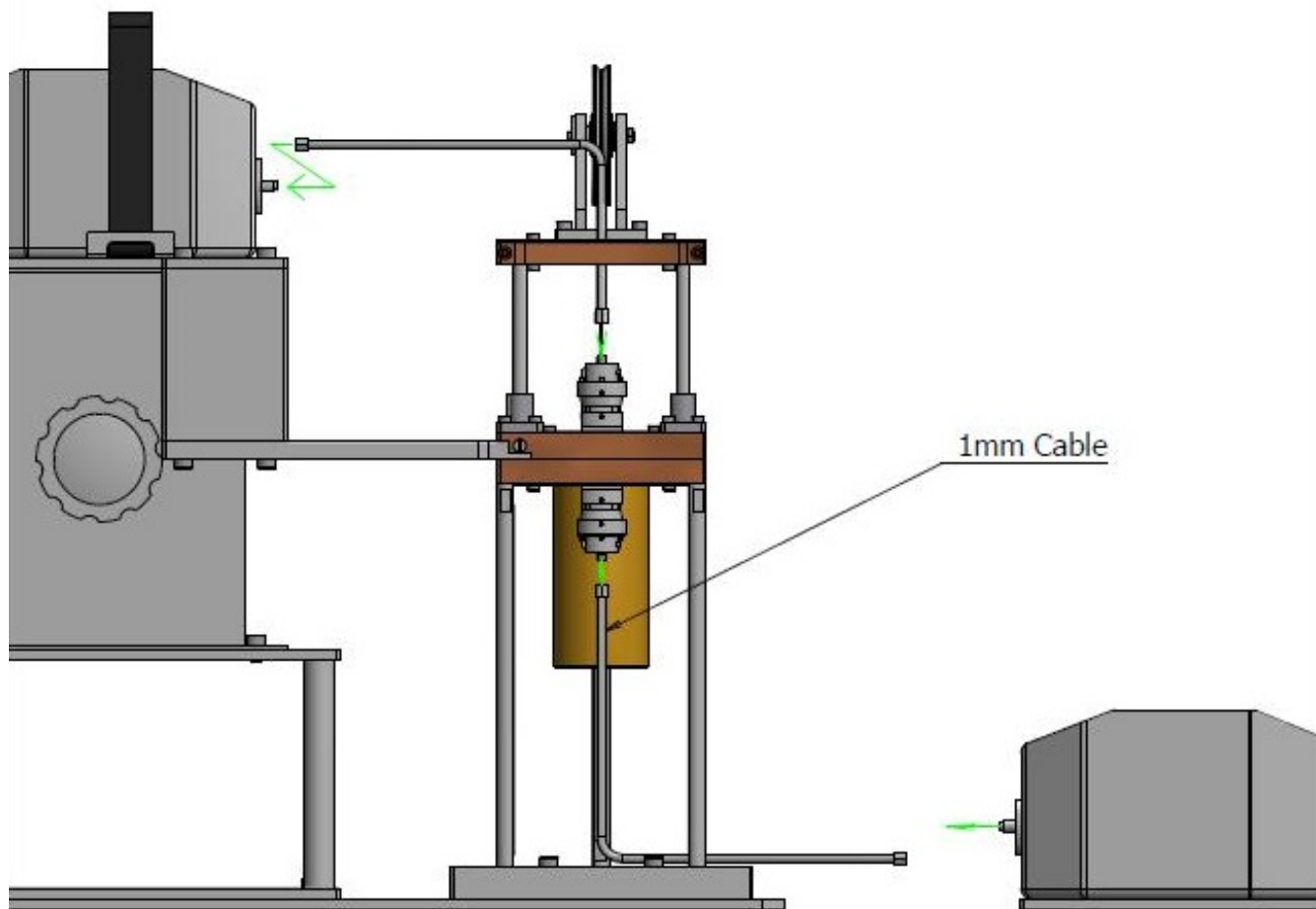


Fix the millimeter wave head with Velcro.



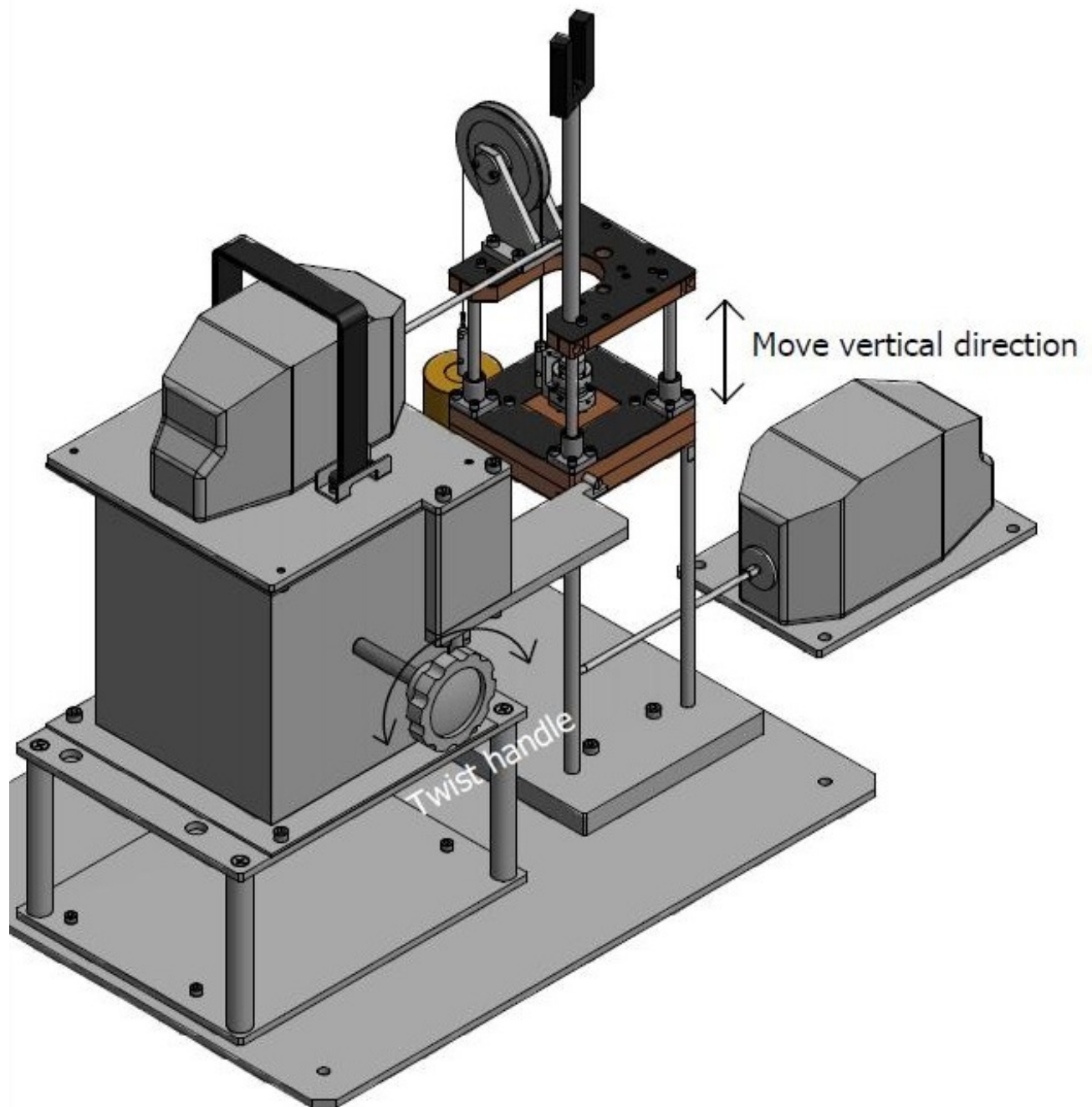
⑤

Attach 1.0mm connectors cable toBCDR.
And attach port1 , port2 mmwave head.
When attaching, use a torque wrench for cable.



⑥

Twist the elevation handle to see the electrode and mmWavehead move together.



⑦Lift up BCDR upper electrode and remove the anti-rust paper.

Keep the anti-rust paper and use them when storing.

Be careful not to damage the electrode surface.

